



System ID# FC835

### Step-by-step installation instructions:

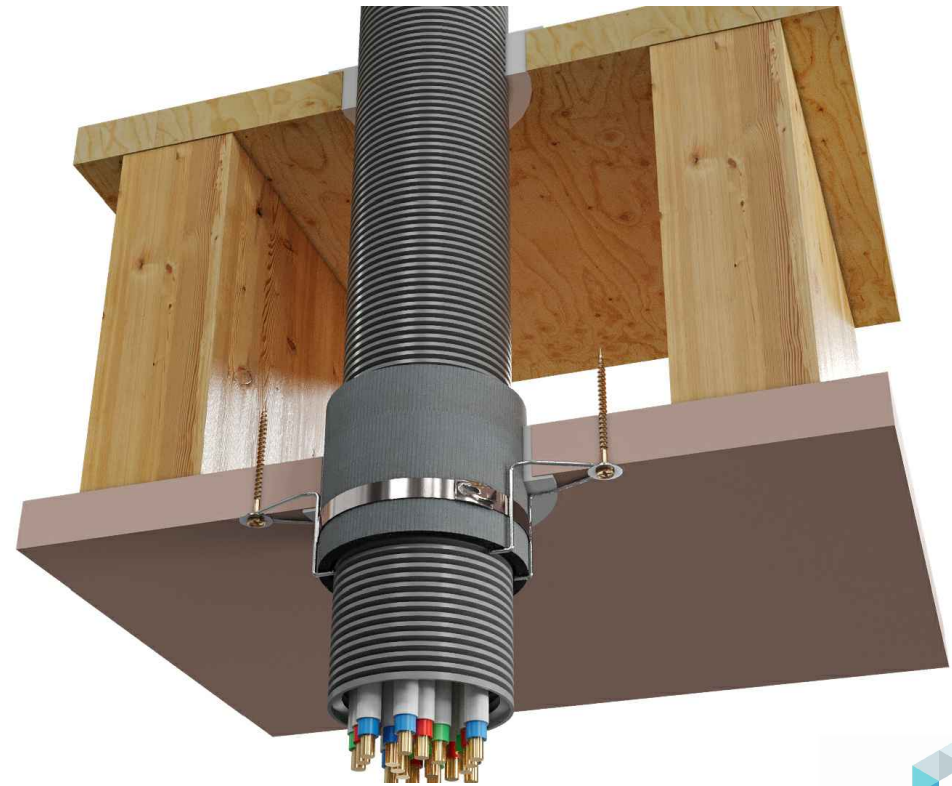
1. Ensure the aperture is free from dust and debris.
2. Conduit may be empty or contain up to 6 TPS cables.

#### Unexposed side:

3. Apply AGNI-Seal to the annular gap between the service and plywood to the full depth and finish flush with the plywood's face.

#### Exposed side:

4. Make one revolution of AGNI-Wrap 50 around the pipe and insert 25mm of the wrap into the aperture, leaving another 25mm of the wrap below the ceiling lining.
5. Secure AGNI-Wrap 50 with AGNI-Strap at the centre of the exposed wrap.
6. Use two AGNI-Clips to secure AGNI-Wrap 50 to the lining.
7. Apply a bead of AGNI-Seal between the lining and AGNI-Wrap 50.



### Technical Information

Substrate	<ul style="list-style-type: none"> <li>• Fire-rated plasterboard ceiling (one layer of 16mm)</li> </ul>
Service range	DN 50mm flexible PVC-U conduit, empty or with up to 6 x TPS cables
Annular gap	3.4mm - 7.1mm
AGNI-Products	AGNI-Seal, AGNI-Wrap 50, AGNI-Strap, AGNI-Clips
Protection installation	Asymmetrical

### Compliance Information

Standards	AS1530.4-2014, AS4072.1-2005
FRR/FRL	-/60/60
Reference	RIRF24080 (Fire 88)

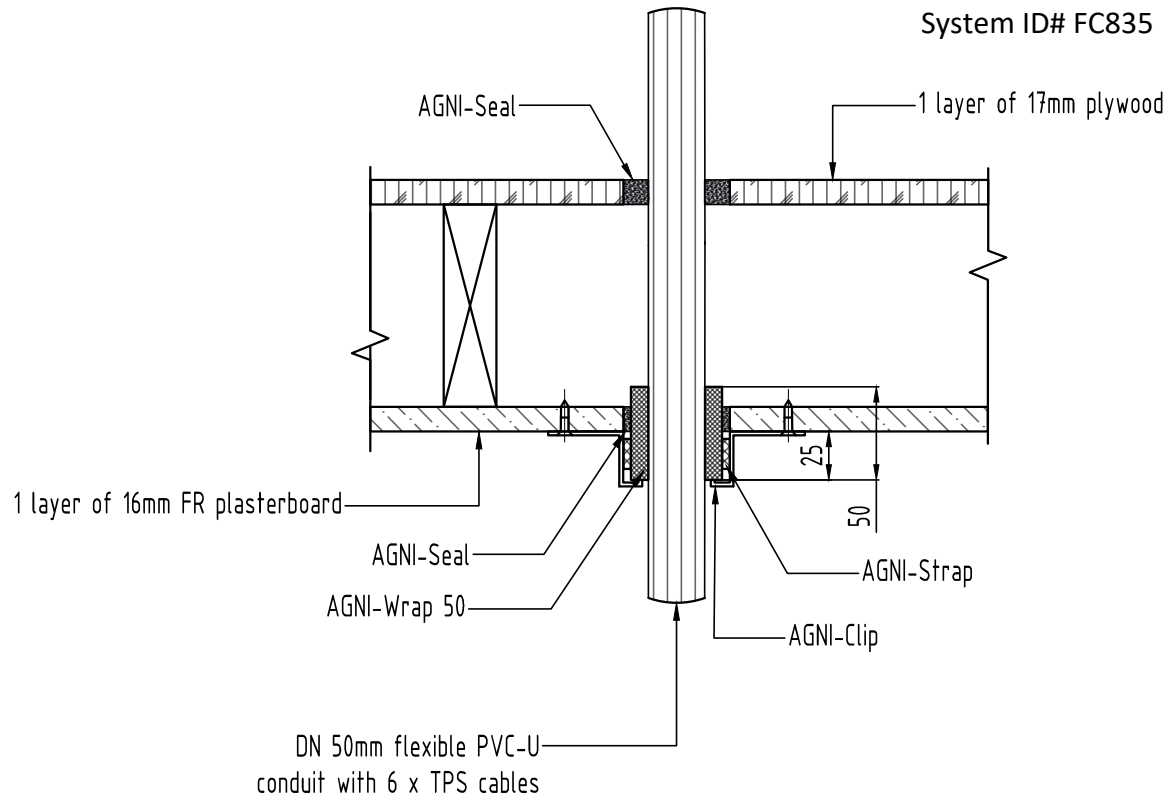


## Agnitek

FIRE RATED TECHNOLOGY

8 Clare St Bayswater  
VIC 3153, AUSTRALIA  
www.agnitek.com.au

Date 30.08.2024



### Technical Information

Substrate	<ul style="list-style-type: none"> <li>Fire-rated plasterboard ceiling (one layer of 16mm)</li> </ul>
Service range	DN 50mm flexible PVC-U conduit, empty or with up to 6 x TPS cables
Annular gap	3.4mm - 7.1mm
AGNI-Products	AGNI-Seal, AGNI-Wrap 50, AGNI-Strap, AGNI-Clips
Protection installation	Asymmetrical

### Compliance Information

Standards	AS1530.4-2014, AS4072.1-2005
FRR/FRL	-/60/60
Reference	PF24080



**Agnitek**  
FIRE RATED TECHNOLOGY

8 Clare St Bayswater  
VIC 3153, AUSTRALIA  
www.agnitek.com.au

Date | 30.08.2024